

SATAmijnjet® 4400 B



German Engineering

Spray Guns | Cup Systems | Breathing Protection | Air Filtration | Accessories



For high precision work

SATaminijet 4400 B – Brilliance in Miniature

The SATaminijet 4400 B is the perfect compact spray gun if you are looking for superb finishes on areas of difficult access. The special SR nozzles are perfectly suitable for spot repairs on vehicles. It goes without saying that this spray gun allows the application of all modern paint systems – including waterborne paints.



Ergonomics

With its ergonomically shaped handle, the spray gun is perfectly balanced. All adjustment elements can be safely operated even when wearing gloves. Furthermore, the design of the round/flat spray control is geared to the SATaminijet 3000 B.

The SATaminijet 4400 B is sturdy and long-lasting; the spray fan can be exactly adjusted with a $\frac{3}{4}$ turn only.

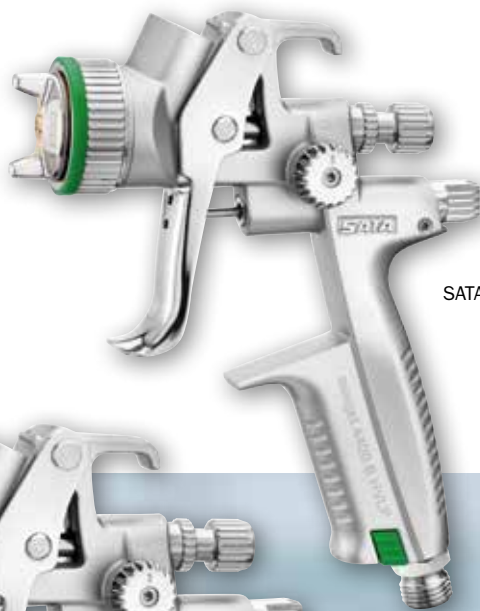
Enhanced durability

The spray gun body is equipped with an easy to clean, corrosion-resistant perloxal™ surface. The sturdy air cap is made of chrome-plated brass; paint needle and fluid tip are made of tempered stainless steel. The trigger protects the paint needle from overspray during painting, thus prolonging the lifetime of the paint needle seal. The

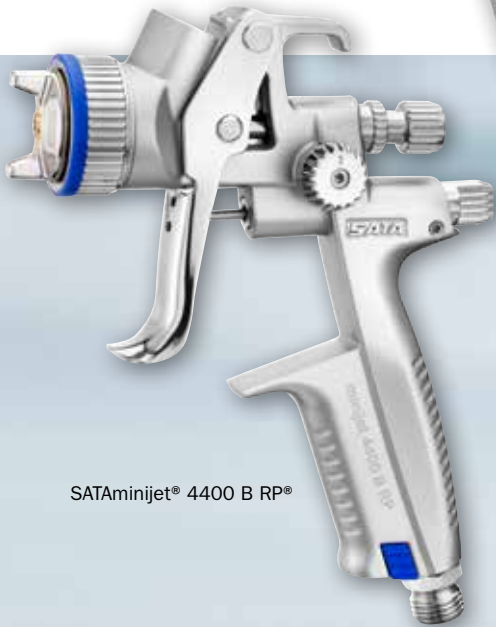
air piston rod has been especially reinforced. All these features result in an extended spray gun lifetime.

Large QCC cup connection

The SATaminijet 4400 B allows the use of all three RPS cup sizes. Furthermore, the large connection makes the cleaning of the material passages extremely safe and easy.



SATAmijet® 4400 B HVLP



SATAmijet® 4400 B RP®



PRODUCT BENEFITS

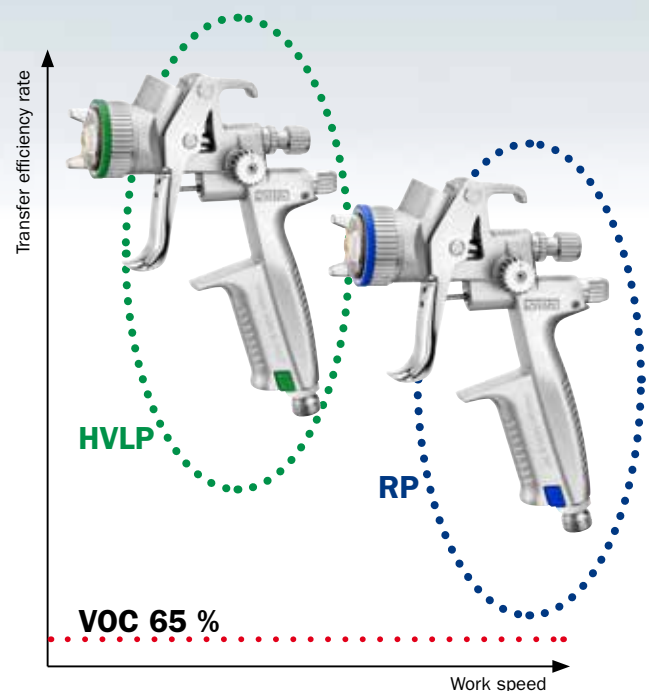
- For small surfaces and areas of difficult access
- HVLP and RP nozzle sets
- Special SR nozzle sets for small area repairs (spot repair)
- Ergonomically formed gun handle
- Easy cleaning and maintenance
- Large cup connection QCC for all RPS cup sizes
- Highly flexible in terms of atomisation pressure and spray distance

Two ways to reach a perfect result: HVLP and RP®

HVLP: Due to the low pressure technology, SATAmijet 4400 HVLP and HVLP SR spray guns achieve especially high transfer rates.

RP: The optimised high pressure technology now also allows maximum work speed with the SATAmijet 4400 RP and RP SR.

Both versions are extremely versatile in application, meeting highest expectations concerning excellent finishes, while far exceeding 65% transfer efficiency rates in accordance with VOC legislation.



SATaminijet 4400 B – what nozzle set is suitable for which application?

Material or application	HVLP Standard	HVLP SR	RP Standard	RP SR
Car refinsh				
Filler/Primer	★★ 1,1	★★★ 1,2/1,4	★★★ 1,4/1,6	★★★ 1,2
Spot Repair	-	★★★ 0,8 - 1,4	-	★★★ 0,8 - 1,2
Design	★★★ 0,3 - 1,1	★★ 0,8 - 1,4	★★★ 0,5 - 1,6	★★★ 0,8 - 1,2
Industrial applications				
Clear coat	★★ 0,5 - 1,0 ★★★ 1,1	-	★★ 0,5 ★★★ 1,4	-
Base coat/Single stage material	★★ 0,5 - 1,1	★★★ 1,2	★★ 0,5/1,6 ★★★ 1,4	★★ 0,8/1,0 ★★★ 1,2
Filler/Primer	★★ 1,1	-	★★★ 1,6	-
Wood				
Clear coat, 2K/Single stage coat	-	-	★★ 1,6	-
Base coat	★★ 0,8 - 1,1	★★★ 1,0 - 1,4	★★★ 1,4/1,6	★★★ 1,0/1,2
Stain	★★★ 0,3 - 1,1	-	★★★ 0,5 ★★ 1,4	-
Stain/Patination	★★★ 0,3 - 1,1	-	★★★ 0,5	-
Thick film	-	-	★★ 1,6	-
Marine				
Clear coat, 2K/Single stage coat	-	-	★★ 1,4/1,6	★★ 1,2
Clear coat for woodcoating	★★ 1,1	-	★★ 1,4/1,6	-
Effect paint	-	★★ 1,0 - 1,4	★★ 1,4	★★ 1,0/1,2
Primer	★★ 1,1	-	★★ 1,4 ★★★ 1,6	-

★★★ Perfectly suitable

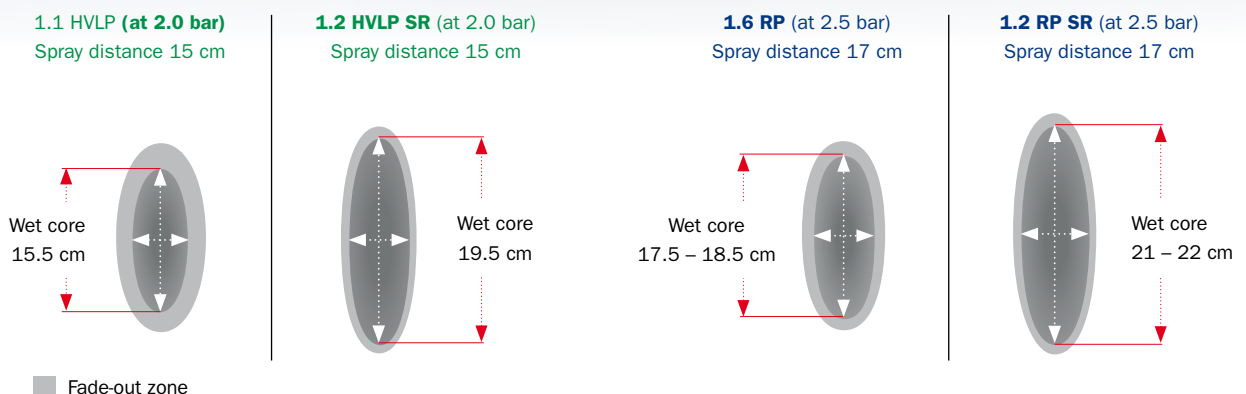
★★ Well suitable

Note: Please observe the technical data sheets of the respective paint manufacturers!

SR nozzle sets for spot repair

The SR nozzle sets (now also available as RP version) are perfectly suitable for spot repairs. Compared to the standard nozzle sets, they feature a wide spray fan with wide-stretched core area; colour deviations, and so-called "halos" can be easily avoided.

Fan Pattern Comparison*:



Standard nozzles with wet, compact core. SR nozzles with wide-stretched core.

*Diagram: Approximate data, may vary according to material and viscosity

The SATAmijet 4400 B – perfect in every detail



Sturdy air cap made of chrome-plated brass with QC™ air cap thread for quick exchange with only 1 ¼ turns.

Air cap ring:

green = HVLV technology

blue = RP technology



Large QCC connection allows the use of all cup sizes – no adapter required – and allows easy cleaning of the material passage

Fluid tip and paint needle made of corrosion-resistant stainless steel

Material passage (red)

Air passage (blue)

Fluid tip seal ensuring minimal cleaning efforts and safe colour change

Low maintenance, self-tensioning air piston and paint needle packings

Trigger with paint needle protection for an extended lifetime of the paint needle packing

Ergonomically shaped gun handle

Gun suspension hook for convenient storage

Adjustment elements can easily be operated even when wearing gloves: Handy material flow control with quick thread



Air micrometer for the adjustment of the atomisation air. Highest precision with digital pressure gauge (optional)

Fan control with ¼ turn allows fine adjustment

Easy to clean, corrosion-resistant pearlo-dised™ surface



CCS™ – Color Code System. For the convenient identification of your spray gun.



Warranty: Talking quality is not enough – we guarantee it: for three years!

Nozzle sizes

		Standard nozzle sets					SR nozzle sets			
Nozzle size	HVLP	0,3	0,5	0,8	1,0	1,1	0,8 SR	1,0 SR	1,9	2,2
	RP	-	0,5	-	1,4	1,6	0,8 SR	1,0 SR	1,2 SR	-
Cpl. with 0.125 l QCC reusable plastic cup		197970	197988	197996	198002	198010	198069	198077	198085	198093
		-	202416	-	198234	198242	198200	198218	198226	-
Cpl. with disposable RPS cup 0.3 l		-	-	-	-	-	198168	198176	198184	198192
		-	-	-	-	-	202390	198358	198366	-
Nozzle set		201194	201202	201210	201228	201236	201244	201251	201269	201277
		-	202408	-	201319	201327	201285	201293	201301	-

HVLP/HVLP SR: air consumption at 2.0 bar: 120 NI/min

RP/RP SR: air consumption at 2.5 bar: 200 NI/min

To choose the correct nozzle size – no matter if base coat, clear coat or 1K coats – please contact your local SATA dealer or visit our website: www.sata.com/SATAMiniJet4400

Accessories:

SATA® adam® 2 mini™

Compressed air micrometer with electronic pressure measurement.

Art. No. 160 879



SATA® RPS®

Replaces reusable plastic cups and fits on the SATA spray guns without adapter. Reduces cleaning effort and helps save solvents. Available sizes: 0.3 l, 0.6 l and 0.9 l.

Art.No. upon request



SATA design set with SATAMiniJet® 4400 B HVLP 1.0

and useful accessories for custom painting beginners:

- 125 ml QCC cup
- 2 glass plug-on cups 25 ml and 3 glass cups with blank lid
- 2 m air hose
- Cleaning and seal kit
- Tool kit

Art. No. 198382



Glass cup kit

for easy paint supply as well as quick colour changes.

25 ml glass cup (5x) with closing lid

Art. No. 58164

25 ml glass cup (5x) with plug-in lid

Art. No. 53033

Plug-in cup connection with QCC

Art. No. 200220



Further useful accessories like air hoses, respirators, compressed air filters etc. are available from your SATA dealer.

Your SATA dealer



SATA GmbH & Co. KG
Domertalstr. 20
70806 Kornwestheim
Germany
Tel. +49 7154 811-200
Fax +49 7154 811-194
E-Mail: export@sata.com
www.sata.com