

## Dimensions

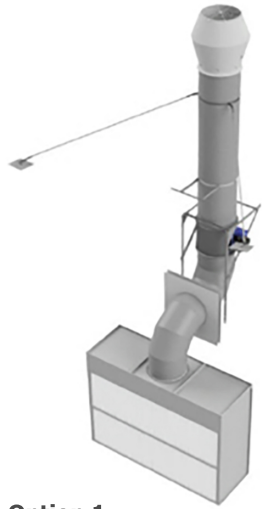
Model WWB	A (mm's)	B (mm's)	D (mm's)	No. of Fans	Motor Size (kW)
100	1000	1080	500	1	0.75
150	1500	1580	560	1	1.1
200	2000	2080	630	1	2.2
250	2500	2580	630	1	3.0
300	3000	3080	710	1	4.0
400	4000	4080	710	1	4.0
500	5000	5080	630	2	3.0
600	6000	6080	710	2	4.0



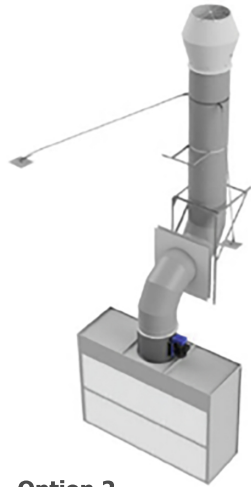
**SPRAY DIRECT LTD**  
 HERONDEN ROAD  
 PARKWOOD INDUSTRIAL ESTATE  
 MAIDSTONE, KENT  
 ME15 9YR  
 TEL: 0345 873 0263  
 EMAIL:  
 SALES@HITECSPRAY.CO.UK

**COPYRIGHT NOTICE**  
 THIS DRAWING IS THE  
 CONFIDENTIAL AND  
 COPYRIGHT PROPERTY OF  
 SPRAY DIRECT LTD AND  
 MUST NOT BE COPIED OR  
 DISCLOSED TO A THIRD  
 PARTY WITHOUT PRIOR  
 WRITTEN CONSENT.

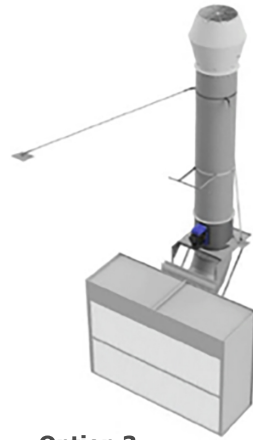
GWB Master Drawings			CONTRACT NO.	ISSUED BY
			~	A.C.
MATERIAL	FINISH	DATE	SCALE	PAPER
N/A	RAI7043 (If Applicable)	14/01/2019	1 : 23	A2
		DRAWN BY	SHEET	REVISION
		AC	4 / 5	A



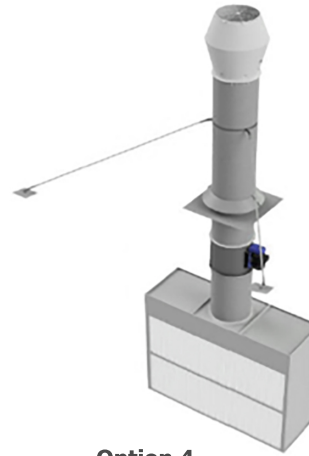
Option 1



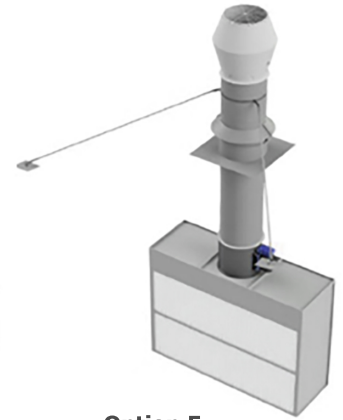
Option 2



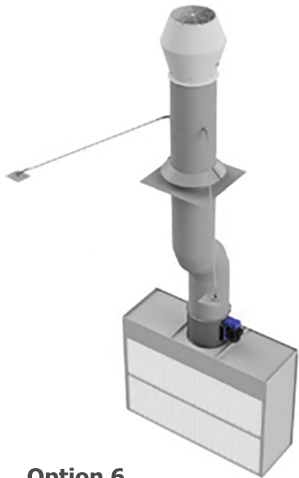
Option 3



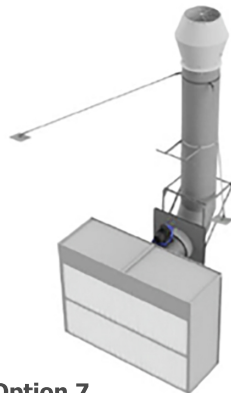
Option 4



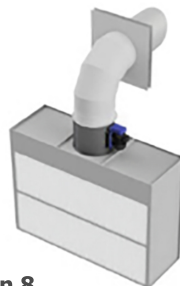
Option 5



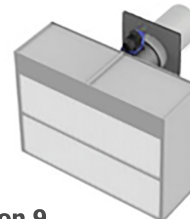
Option 6



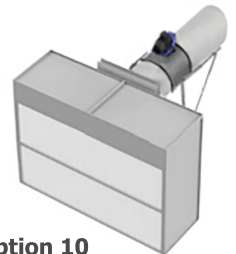
Option 7



Option 8



Option 9



Option 10