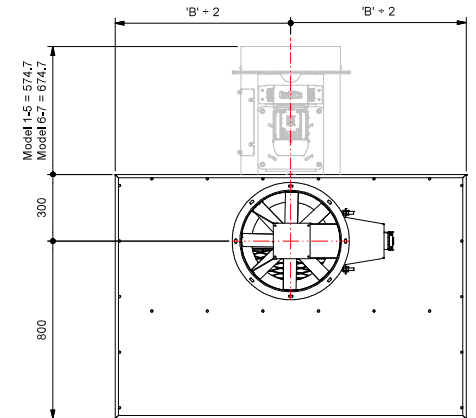
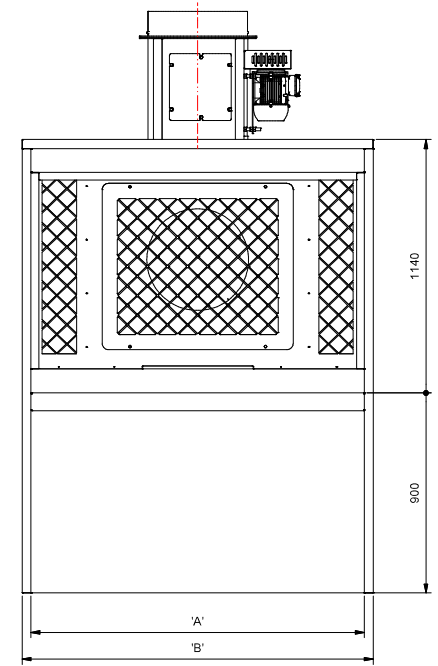
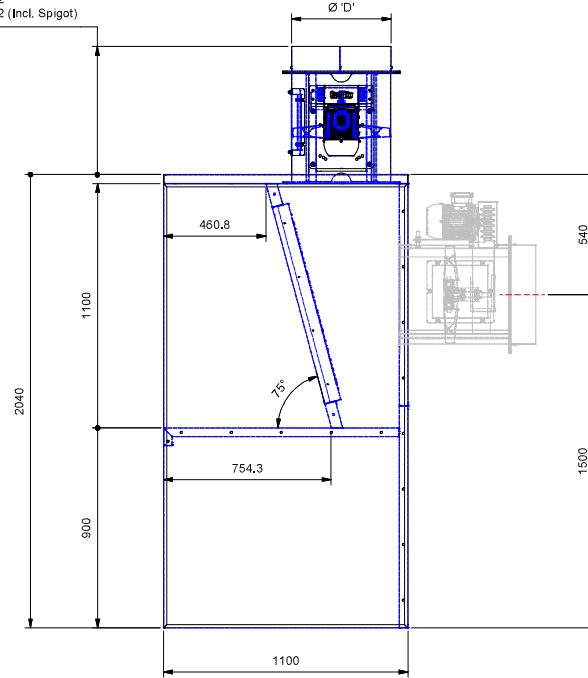


Model 1-4 = 576,2
 Model 5-6 = 776,2 (Incl. Spigot)



| Dimensions | | | | | |
|--------------|-------------|------------|------------|------------|---------------------------|
| Model Number | Model (GMB) | 'A' (mm's) | 'B' (mm's) | 'D' (mm's) | Motor kW Rating (Per Fan) |
| 1 | 100 | 1000 | 1080 | 315 | 0.75 |
| 2 | 150 | 1500 | 1580 | 355 | 1.1 |
| 3 | 200 | 2000 | 2080 | 400 | 1.1 |
| 4 | 300 | 3000 | 3080 | 500 | 1.1 |
| 5 | 450 | 4500 | 4580 | 560 | 1.5 |
| 6 | 500 | 5000 | 5080 | 630 | 2.2 |

Optional Features:

- 1. External Light(s) (ATEX or non-ATEX); LED**
- 2. Internal Light(s) (ATEX)**
- 3. ATEX Motor**
- 4. Left Hand Or Right Hand Extraction**
- 5. Three Phase or Single Phase Motors (up-to 3.0kW)**



SPRAY DIRECT LTD
 HERONDEN ROAD
 PARKWOOD INDUSTRIAL ESTATE
 MAIDSTONE, KENT
 ME15 9YR
 TEL: 0345 873 0263
 EMAIL:
 SALES@HITECSPRAY.CO.UK

COPYRIGHT NOTICE
 THIS DRAWING IS THE
 CONFIDENTIAL AND
 COPYRIGHT PROPERTY OF
 SPRAY DIRECT LTD AND
 MUST NOT BE COPIED OR
 DISCLOSED TO A THIRD
 PARTY WITHOUT PRIOR
 WRITTEN CONSENT.

| GMB Master Drawings | | | CONTRACT NO. | ISSUED BY |
|---------------------------------|-------------------------|------------|--------------|-----------|
| | | | ~ | A.C. |
| MATERIAL | FINISH | DATE | SCALE | PAPER |
| N/A | RAL7043 (If Applicable) | 14/01/2019 | 1 : 16 | A2 |
| DRAWN BY | | | SHEET | REVISION |
| DO NOT SCALE - IF IN DOUBT ASK! | | | 5 / 5 | A |