

DEVILBISS
AUTOMOTIVE REFINISHING

REFINE THE FINISH



DV1s SMART Repair Gun

EXPERIENCE THE NEXT GENERATION OF SMART & SPOT REPAIR APPLICATION

Introducing the DV1s SMART & Spot Repair Spray Gun: the newest addition to the DV1 family of revolutionary spray guns. The gun provides consistency and optimization in spraying the latest materials in the market today.

The DV1s SMART & Spot Repair gun features three all-new DV1s SMART Repair Air Caps, delivering superior high-efficiency performance for a perfect invisible repair finish. The air caps deliver consistent and homogenous spray patterns to provide flawless, right first time results. The all-new fluid tip designs matches the optimum fluid flow while stabilizing air flow, minimizing material usage and providing significant paint savings.

Consistent with the popular DV1 Clearcoat, the DV1s SMART Repair maintains the matte black gun body finish for improved grip and easy handling.

Through controlled performance, proven paint savings and superior atomization, the DV1s SMART Repair Spray Gun gives painters the confidence to know they can achieve high-quality applications matching original finishes every time for their repair jobs.

FEATURES

- Delivers ultimate SMART Repair application performance
- Sprays consistent and homogeneous spray patterns
- Atomizes effortlessly with a selection of finely tuned air cap and fluid nozzle setups
- Provides maximum comfort and easy use from set-up through the entire spraying process
- Provides maximum comfort and ease of use with right the first time results
- Improved transfer efficiency saving time, money, and repair costs per job



DV1S

DVIS SMART/SPOT REPAIR GUN SYSTEM COMPONENTS & ORDER NUMBERS

Part Listing

Image Reference	Part Number	Description	Qty
1	-	Retaining Ring	1
2	-	Slip Ring	1
3	-	Retaining Ring Seal	1
4	704472	Retaining Ring Sub Assembly	1
5	-	Air Cap	1
6	704480	Spring Clip (Kit of 5)	1
7	SEE TABLE 1	Air Cap & Retaining Ring	1
8	SEE TABLE 2	Fluid Nozzle	1
9	704464	Deflector Plate	1
10+	704403	Screw (Kit of 3)	3
11	-	Sprayhead	1
12+	704463	Gasket (Kit of 2)	1
13	704462	Spray Head Kit	1
14	-	Needle Packing	1
15	-	Packing Spring	1
16	-	Packing Nut	1
17+	905294	Packing, Spring & Packing Nut Kit	1
18	-	O-Ring	1
19	-	Air Valve Cage	1
20	-	Seal	2
21*	-	Seal Guide	2
22*	-	Valve Seat	1
23#	704469	Front Cage Assembly	1
24	-	Air Valve Stem	1
25#	-	Air Valve Spring	1
26	-	Rear Seal Housing	1
27	704470	Rear Seal Assembly	1
28+	704471	Air Valve Assembly	1
29	-	Identification Sleeve	1
30	-	Sleeve Nut	1
31	704473	Sleeve Kit	1
32	SEE TABLE 2	Fluid Needle	1
33	-	Needle Spring	1
34	-	Spring Pad	1
35#+	704405	Needle Spring Kit	1
36	704465	Fluid Adjusting Knob	1
37	-	O-Ring	2
38	-	Flow Valve Body	1
39	-	Flow Valve Knob	1
40	-	Circlip	1
41	704417	Inline Flow Valve	1
42	-	Plug	1
43	-	Trigger Screw	1
44	-	Spring	1
45	-	Trigger Stud	1
46	-	Trigger	1
47	704466	Trigger, Stud, Spring & Screw Kit	1
48	-	Screw	1
49#+	-	Spreader Valve Pin	1
50	-	Spreader Valve Stem	1
51#+	-	O-Ring	1
52	-	Valve Body	1
53#+	-	O-Ring	1
54	-	Spreader Valve Adjusting Knob	1
55	704468	Spreader Knob Kit	1
56	704467	Spreader Valve Assembly	1
57	-	Valve Tool	1
58	-	Torx Driver	1
59	-	Tip Wrench	1
60	704474	Tool Kit	1

Gravity Cups

905311	Gravity Cup Kit	
905202	Drip Check Lid (Kit of 5)	
905308	Gravity Cup Lid (Kit of 2)	
905309	Filter (Kit of 3)	
905312	Funnel (Kit of 12)	

Service Kits

704475	DVIs Minor Service Kit	Includes Items Marked #
704476	DVIs Major Service Kit	Includes Items Marked +

Table 1: Performance Guide

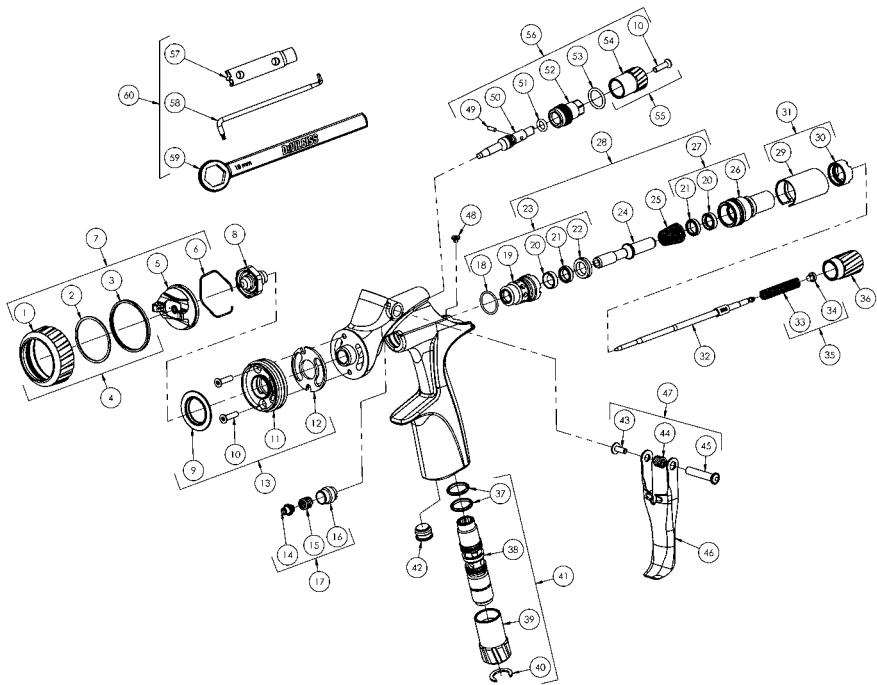
Air Cap Part Number	704451	704452	704453
Air Cap & Type	DVI-M1 Micro (HVLP)	DVI-S1 Plus (HVLP)	DVI-S2 (HVLP)
Recommended Air Pressure at Gun Inlet	1.00 bar (15 psi)	1.75 bar (25 psi)	1.75 bar (25 psi)
Air Consumption	50 L/min (1.8 scfm)	115 L/min (4.1 scfm)	130 L/min (4.6 scfm)
Fluid Flow	1 - 50 g/min	5 - 125 g/min	5 - 125 g/min
Pattern Height	60mm (2.4 in)	200mm (7.9 in)	180mm (7.1 in)

Table 2: Nozzles & Needles

Fluid Nozzle			Fluid Needle	
Part Number	Size	Marking	Part Number	Marking
704454	0.7mm	DVI 0.7M	704460	DVI-M
704455	0.9mm	DVI 0.9M		
704456	0.8mm	DVI 0.8S	704459	DVI-S
704457	1.0mm	DVI 1.0S		
704458	1.2mm	DVI 1.2S		

Spray Gun Kit

Order Number	Description	Air Cap	Tip(s)	Cup Type
704531	DVIs M1 HVLP Gravity Gun Kit	DVI-M1	0.7, 0.9	125ml, Acetyl Cup
704532	DVIs S1 HVLP Gravity Gun Kit	DVI-S1	1.0, 1.2	125ml, Acetyl Cup
704533	DVIs S2 HVLP Gravity Gun Kit	DVI-S2	1.0, 1.2	125ml, Acetyl Cup



DeVilbiss Automotive Refinishing
1-800-445-3988 | askus@carlisleleft.com

autorefinishdevilbiss.com



1-800-992-4657 | askcft@autorefinishdevilbiss.com | carlisleleft.com

©2021 Carlisle Fluid Technologies, Inc. DeVilbiss is a registered trademark of Carlisle Fluid Technologies, Inc. Models and specifications subject to change without notice. All rights reserved. | Form No. 09-242-01