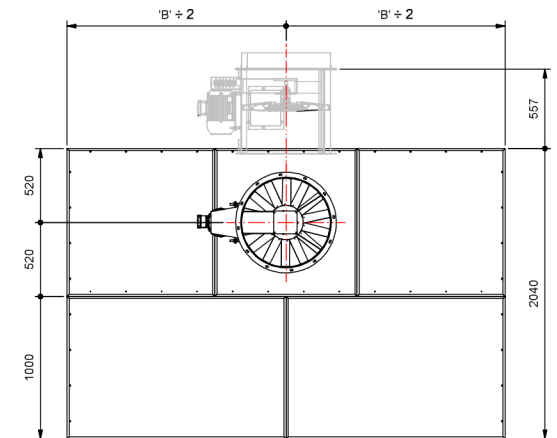


## Dimensions

Model SDF	A (mm's)	B (mm's)	D (mm's)	No. of Fans	Motor Size (kW)
200	2000	2080	560	1	1.5
250	2500	2580	630	1	2.2
300	3000	3080	710	1	3.0
350	3500	3580	710	1	3.0
400	4000	4080	710	1	4.0
450	4500	4580	710	1	4.0
500	5000	5080	800	1	5.5
600	6000	6080	710	2	3.0
700	7000	7080	710	2	3.0
800	8000	8080	710	2	3.0



**SPRAY DIRECT LTD**  
 HERONDEN ROAD  
 PARKWOOD INDUSTRIAL ESTATE  
 MAIDSTONE, KENT  
 ME15 9YR  
 TEL: 0345 873 0263  
 EMAIL:  
 SALES@HITECSPRAY.CO.UK

**COPYRIGHT NOTICE**  
 THIS DRAWING IS THE  
 CONFIDENTIAL AND  
 COPYRIGHT PROPERTY OF  
 SPRAY DIRECT LTD AND  
 MUST NOT BE COPIED OR  
 DISCLOSED TO A THIRD  
 PARTY WITHOUT PRIOR  
 WRITTEN CONSENT.

### DFB Master Drawings

MATERIAL			CONTRACT NO.		ISSUED BY
N?A			~		A.C.
FINISH		DATE	SCALE	PAPER	
RAI7043 (If Applicable)		14/01/2019	1:25	A2	
DRAWN BY			SHEET	REVISION	
DO NOT SCALE - IF IN DOUBT ASK!			1 / 5	A	