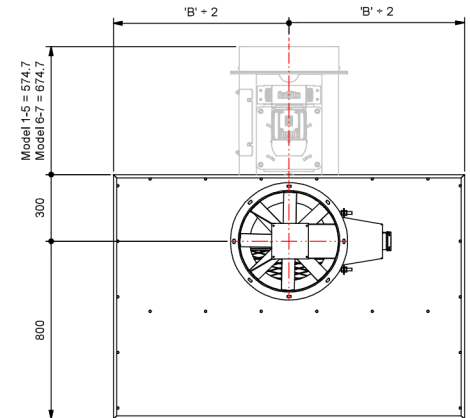
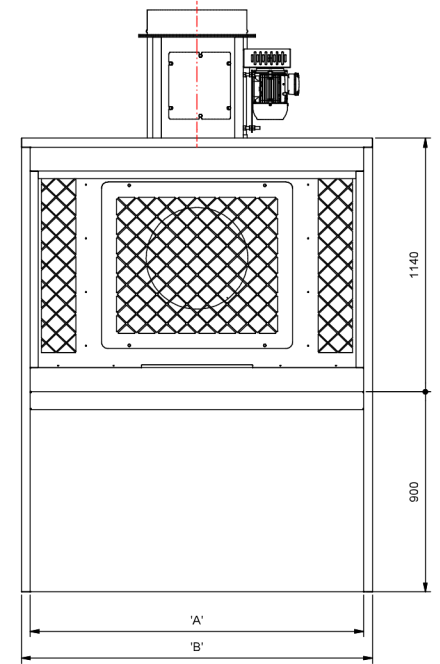
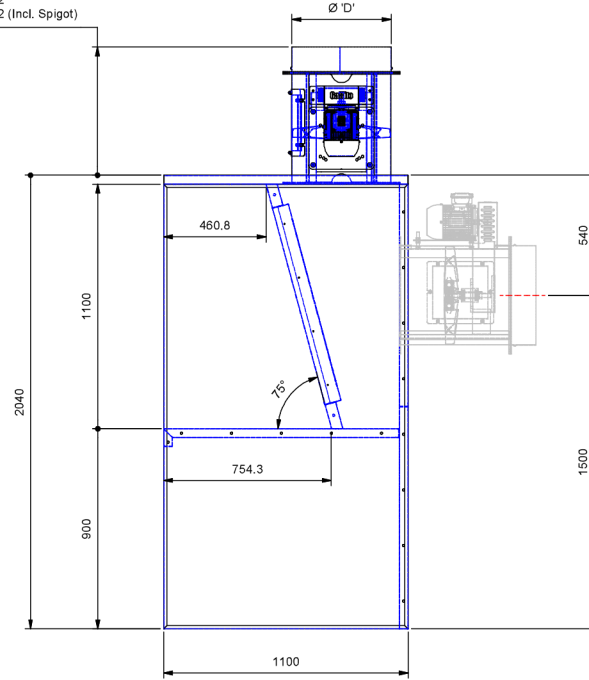


Model 1-4 = 576.2
Model 5-6 = 776.2 (Incl. Spigot)



Dimensions

Model BDF	A (mm's)	B (mm's)	D (mm's)	No. of Fans	Motor Size (kW)
100	1000	1080	315	1	0.55
150	1500	1580	450	1	0.55
200	2000	2080	450	1	0.75
250	2500	2580	450	1	1.1
300	3000	3080	500	1	1.1



SPRAY DIRECT LTD
HERONDEN ROAD
PARKWOOD INDUSTRIAL ESTATE
MAIDSTONE, KENT
ME15 9YR
TEL: 0345 873 0263
EMAIL:
SALES@HITECSPRAY.CO.UK

COPYRIGHT NOTICE
THIS DRAWING IS THE
CONFIDENTIAL AND
COPYRIGHT PROPERTY OF
SPRAY DIRECT LTD AND
MUST NOT BE COPIED OR
DISCLOSED TO A THIRD
PARTY WITHOUT PRIOR
WRITTEN CONSENT.

GMB Master Drawings			CONTRACT NO.	ISSUED BY
			~	A.C.
MATERIAL	FINISH	DATE	SCALE	PAPER
N/A	RAL7043 (If Applicable)	14/01/2019	1 : 16	A2
		DRAWN BY	SHEET	REVISION
		MB	5 / 5	A